

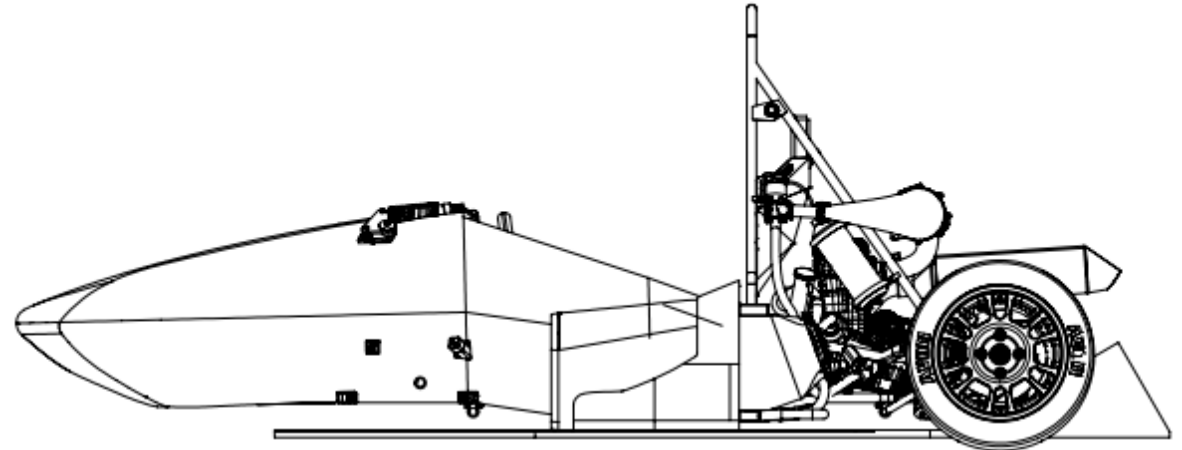
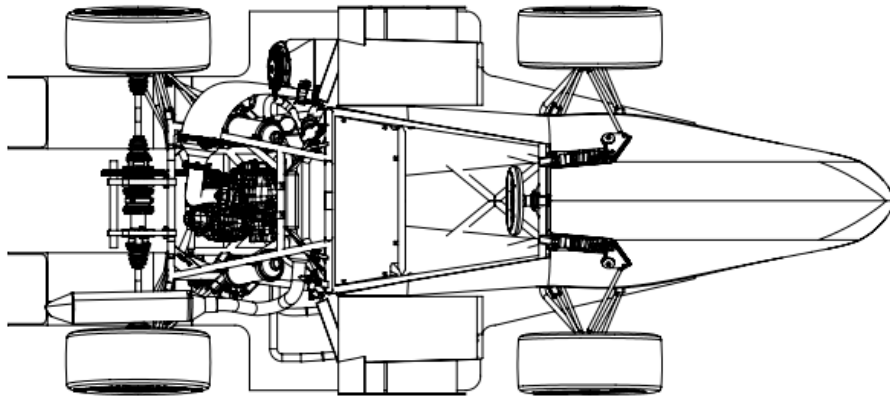
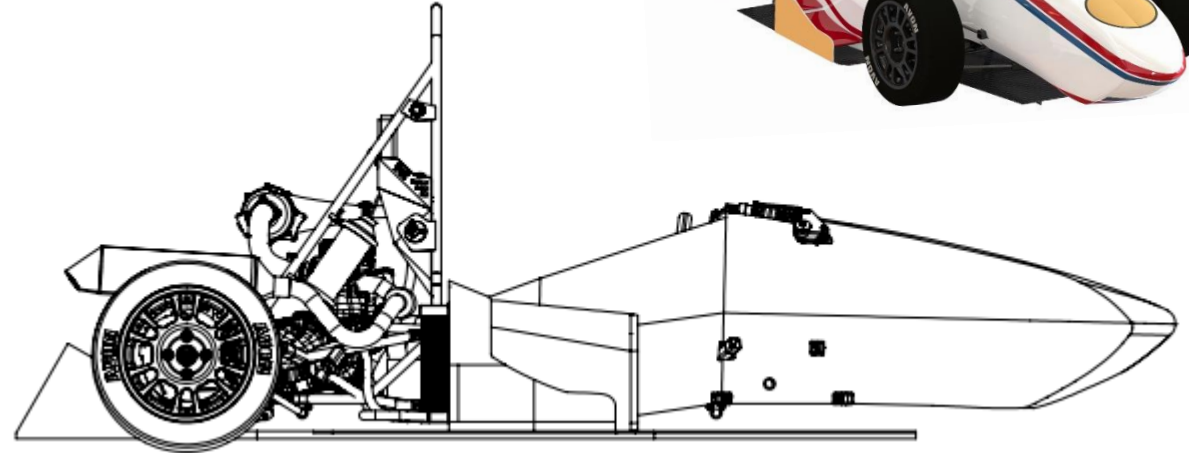
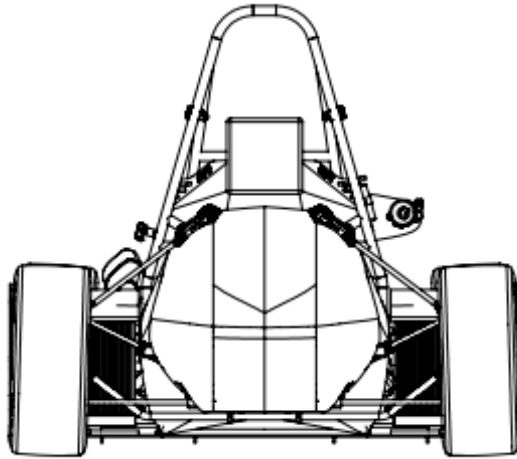
SUSSEX RACING LIVRY COMPETITION FORM

Name:

Course/Year:

Email:

Phone Number:



£1 per entry, amount of entries are not limited per person.
Submit to Engineering and Informatics School Office in Chichester 1.
Competition deadline December 2nd at 12p.m.
Prizes include Evans Cycles vouchers and a Co-Op hamper.
Prizes awarded to the Top 5 designs.
Front half of the car will be where you design is applied.